

Mono Perc

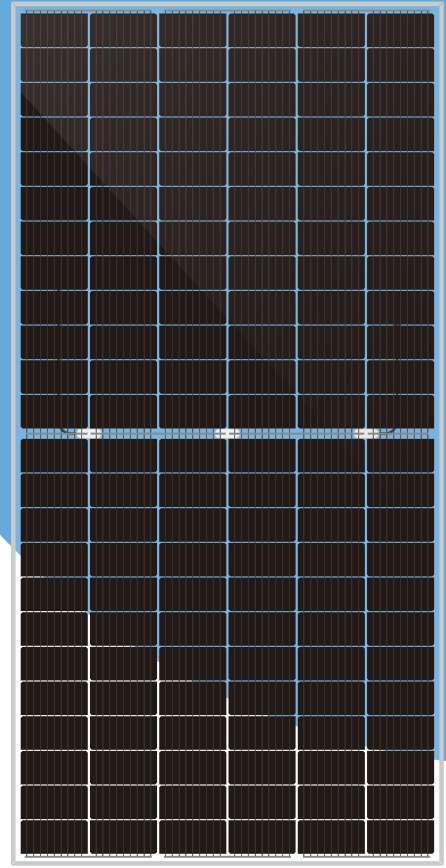
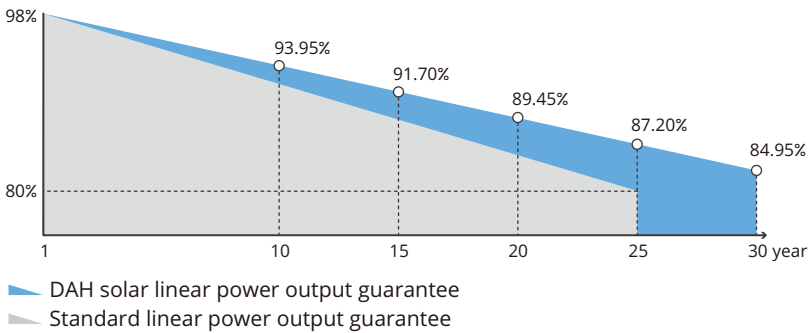
# DHM-72L9/BF

Bifacial Half-cell High Efficiency PV Module

## Quality Guarantee

12-year Material & technology warranty

30-year Linear power output warranty



# 430~460W<sup>0 ~ +5W</sup>

Max  
Module  
Efficiency

21.16%



### Up to 20% generation gain from the rear-side

The grid line transparent back sheet increases the back reflection, and the power generation gain increases with the back light



### More than 25% module weight lighter

Compared with the dual glass module, the weight is reduced by 25%, which is easy to install and save the cost of BOS



### Higher generation efficiency and stability

Low current, low hotspot and better low-irradiance performance, more stable power generation



### Longer power output life span

Anti PID, low acetic acid concentration, ensure the module linear power output for 30 years



### Strong environmental adaptability

Certified by Dust-Sand, Salt-Mist, Ammonia etc. weather resistance tests



### Select Grade A crystalline silicon solar cells

Grade A crystalline silicon solar cells make high-power output with cost-effective

## Comprehensive Products and System Certificates



IEC 61215 / IEC 61730 / CE / INMETRO

ISO 9001-

2015/Quality management system

ISO 14001-

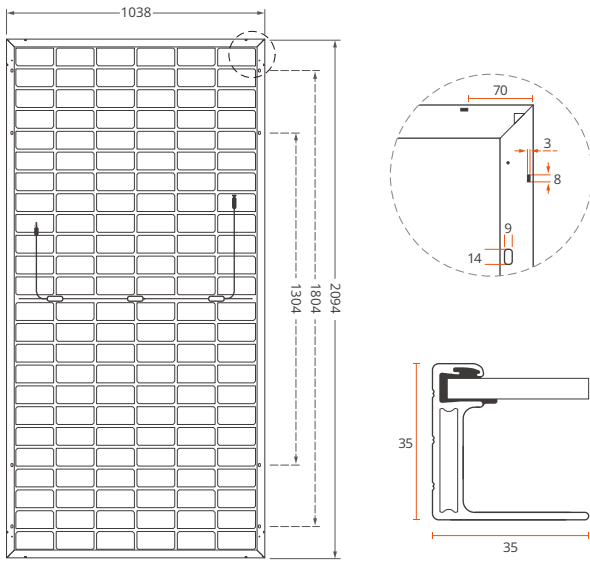
2015/Standards for environmental management system

OHSAS 18001-

2007/International standards for occupational health & safety

# DHM-72L9/BF 430~460W

## Design



## Mechanical Specification

**Cells Type**  
Mono 166×83mm

**Weight**  
24kg

**Cable**  
(Including connector)  
**No. of Cells**  
**Glass**  
**Junction box**  
**Connector**

**Dimension (L×W×T)**  
2094×1038×35mm

**Packing**  
31pcs/pallet, 682pcs/40HQ

4.0mm<sup>2</sup>, Portrait: 300mm(+)/400mm(-)  
Landscape: 1400mm(+)/1400mm(-)  
144 (6×24)  
3.2mm High Transmission, Antireflection Coating  
IP68, 3 Bypass Diodes  
MC4 Compatible

## Operating Parameters

Maximum system voltage	1000V/1500V DC
Operating Temperature	-40 ~ +85°C
Maximum series fuse rating	25A
Snow load, frontside	5400Pa
Wind load, backside	2400Pa
Nominal operating cell temperature	45°C±2°C
Application level	Class A

## Electrical Characteristics

Module Type	DHM-72L9/BF															
	STC	Noct	STC	Noct	STC	Noct	STC	Noct	STC	Noct	STC	Noct	STC	Noct	STC	Noct
Maximum Power (Pmax)	430W	320W	435W	324W	440W	327W	445W	331W	450W	335W	455W	339W	460W	342W		
Open-circuit Voltage (Voc)	48.70V	45.68V	48.85V	45.82V	49.00V	45.96V	49.15V	46.10V	49.30V	46.24V	49.45V	46.38V	49.60V	46.52V		
Maximum Power Voltage (Vmp)	41.51V	38.94V	41.66V	39.08V	41.81V	39.22V	41.96V	39.36V	42.11V	39.50V	42.26V	39.64V	42.41V	39.78V		
Short-circuit Current (Isc)	11.23A	9.07A	11.26A	9.10A	11.29A	9.12A	11.32A	9.15A	11.35A	9.17A	11.38A	9.20A	11.41A	9.22A		
Maximum Power Current (Imp)	10.36A	8.22A	10.44A	8.28A	10.52A	8.35A	10.61A	8.41A	10.69A	8.48A	10.77A	8.54A	10.85A	8.60A		
Module Efficiency (STC)	19.78%		20.01%		20.24%		20.47%		20.70%		20.93%		21.16%			

STC: Standard Test Environment : Irradiance 1000W/m<sup>2</sup>, Cell temperature 25°C, Spectrum AM1.5

NOCT: Standard Test Environment : Irradiance 800W/m<sup>2</sup>, Ambient temperature 20°C, Spectrum AM1.5, Wind speed 1m/s

Refer Bifacial Factor: 70±5%

Temperature Coefficient of Voc: -0.31%/°C

Temperature Coefficient of Isc: 0.05%/°C

Temperature Coefficient of Pmax: -0.35%/°C

### Double-sided power generation parameters (Rear gain)

Gain	Parameter	430W	435W	440W	445W	450W	455W	460W
5%	Maximum Power (Pmax)	452W	457W	462W	467W	473W	478W	483W
	Module Efficiency (%)	20.77%	21.01%	21.26%	21.50%	21.74%	21.98%	22.22%
15%	Maximum Power (Pmax)	495W	500W	506W	512W	518W	523W	529W
	Module Efficiency (%)	22.75%	23.02%	23.28%	23.54%	23.81%	24.07%	24.34%
25%	Maximum Power (Pmax)	538W	544W	550W	556W	563W	569W	575W
	Module Efficiency (%)	24.73%	25.02%	25.30%	25.59%	25.88%	26.17%	26.45%

## I-V Curve (DHM-72L9/BF-440W)

